

TYPICAL STRAIGHT-RUN FOUNDATION DETAIL
SCALE (1:40)

PROTECTED SIDE

Product Classification:
B-Foundation/Passive/Bollard
Performance Rating:
PAS68:2010 Bollard
V/7500[N3]/80/90:12.5/21.8

THIS DRAWING IS THE SOLE PROPERTY AND COPYRIGHT OF MARSHALLS STREET FURNITURE AND MAY NOT BE DISCLOSED TO ANY THIRD PARTY OR REPRODUCED IN WHOLE OR IN PART WITHOUT THE PRIOR WRITTEN CONSENT OF AN AUTHORISED REPRESENTATIVE OF THE COMPANY. UNAUTHORISED PARTIAL OR COMPLETE REPRODUCTION, IN EITHER TWO OR THREE DIMENSIONAL FORM, MAY RESULT IN LEGAL ACTION. THE USE OF THIS DRAWING TO OBTAIN QUOTES FROM OTHER SUPPLIERS OTHER THAN MARSHALLS URBAN STRUCTURES MAY RESULT IN LEGAL ACTION.



Marshalls
PREMIER WAY
LOWFIELDS BUSINESS PARK
ELLAND
HALIFAX
WEST YORKS
HX5 9HT

TEL: 0870 990 7504
EMAIL: info@marshalls.co.uk

- NOTES:**
1. ALL DIMENSIONS ARE IN FEET AND INCHES UNLESS OTHERWISE STATED.
 2. DO NOT SCALE DRAWING.
 3. ALL CONCRETE TO BE IN ACCORDANCE WITH BS 8500
 4. MIXES TO BE REINFORCED CONCRETE - C30/C40
 5. ALL MATERIAL & WORKMANSHIP TO BE IN ACCORDANCE WITH RECOMMENDATIONS OF BS-EN 1992 EUROCODE 2
- Foundation sizes given are for customer guidance and suited to sub-soils with good load bearing capabilities. Where adverse site conditions are met professional advice to be sought.

TOLERANCES:

LINEAR	0	:+/-
	0.0	:+/-0.1
	0.00	:+/-0.01
ANGULAR		+/-.5°

THIRD ANGLE PROJECTION

Rev	Init	Revision Notes	ER No.	Date
A	MB	FIRST ISSUE	20-0712	06/11/20
B	-	-	-	-/-/-
C	-	-	-	-/-/-
D	-	-	-	-/-/-
E	-	-	-	-/-/-

PRODUCT TYPE:
STATIC BOLLARDS

IMPACT RATING:
75-50

SLEEVE DETAIL:
VARIOUS SEE NOTES

PRODUCT RANGE:
RHINO GUARD

SOCKET WEIGHT:
200 lbs

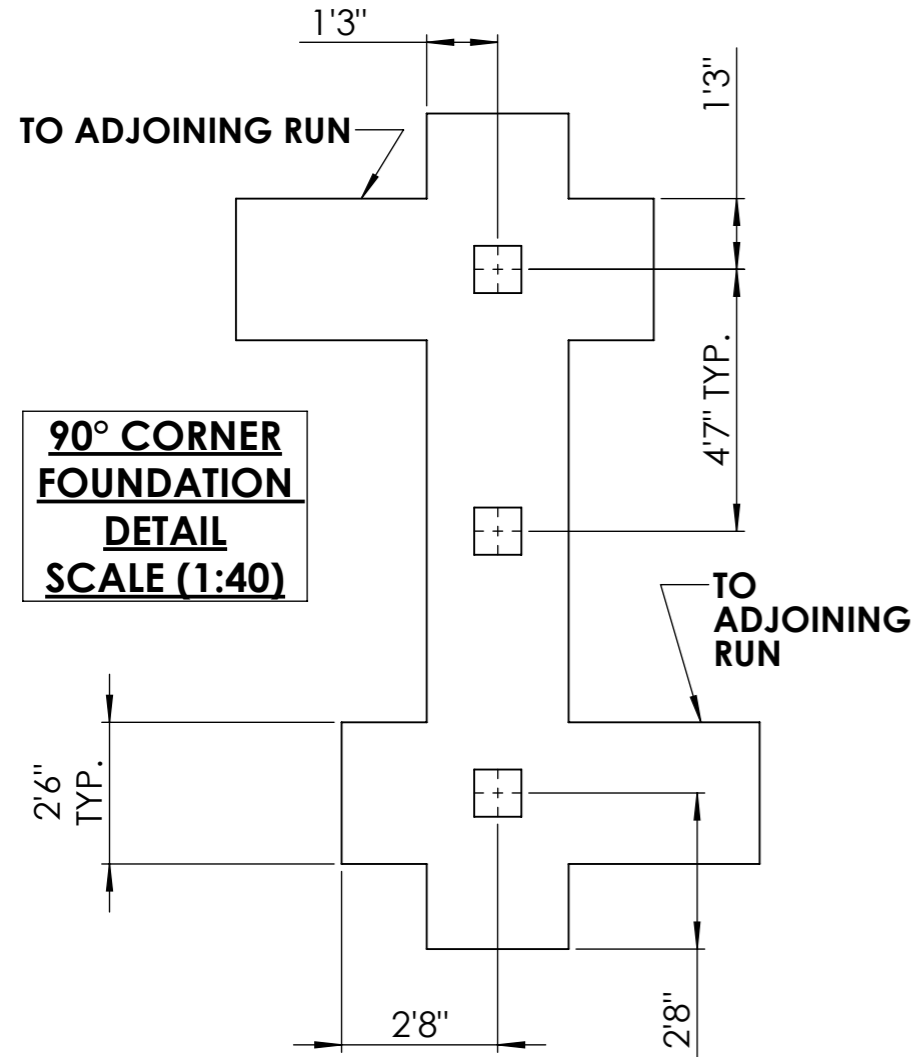
BOLLARD WEIGHT:
575 lbs

SHEET TITLE:
RhinoGuard 75/50 Slimline Core Ø194 PC

DRAWING NUMBER:
CD-RG-BL-00077

DRAWN BY MB	REVISION [A]
DATE 06/11/20	
SCALE 1:15@A3	

SHEET 1 of 1

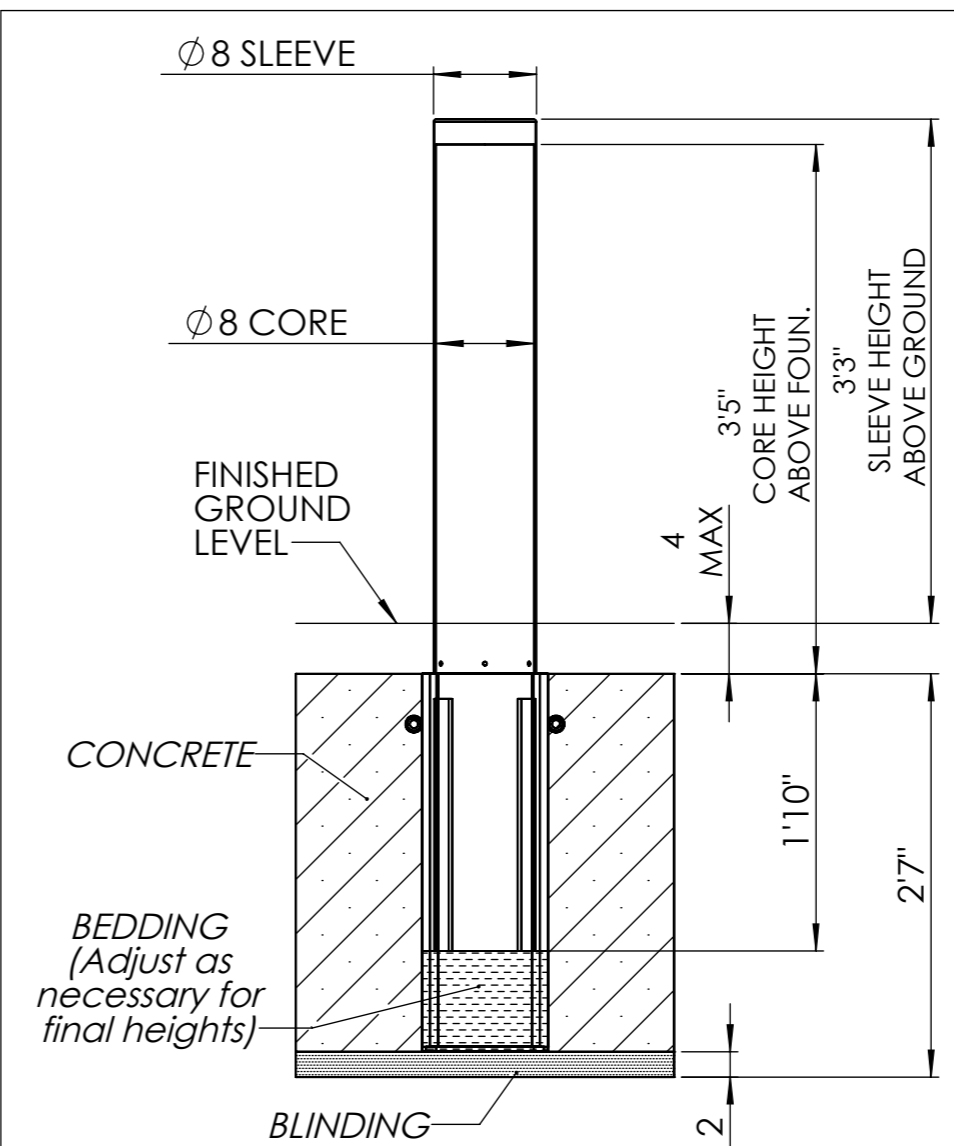
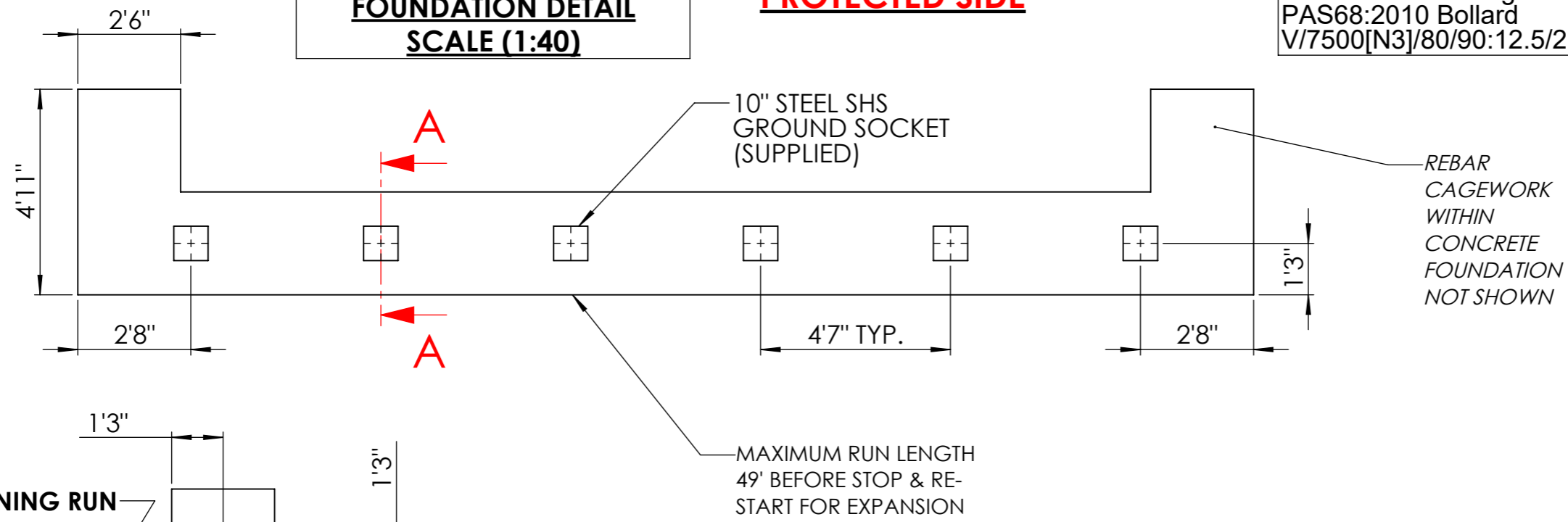


FINISH OPTIONS:

- ZINC PRIMED AND POWDER COATED
- MILD STEEL GALVANISED AND POWDER COATED SLEEVE
- STAINLESS STEEL SLEEVE (BRUSHED OR BEAD BLASTED)
- FERROCAST (VARIOUS OPTIONS AVAILABLE)

AVAILABLE WITH FLAT/MITRED AND DOMED TOPS WITH OR WITHOUT GROOVES WITH OR WITHOUT CLASS 2 REFLECTIVE TAPE

- NOTES:**
- 1) FOUNDATION DETAIL FOR INDICATIVE PURPOSES ONLY. PRODUCT TO BE INSTALLED IN ACCORDANCE WITH MARSHALLS SPECIFICATION.
 - 2) FOR HVM COMPLIANCE BOLLARD TO BOLLARD CLEAR GAP MUST NOT EXCEED 47.25"
 - 3) STOP AND START RUN EVERY 49 FEET TO ALLOW FOR EXPANSION.
 - 4) MINIMUM 1 BOLLARD REQUIRED CENTRALLY IN A 2-BOLLARD FOUNDATION.
 - 5) 45° AND CURVED OPTIONS AVAILABLE.
 - 6) PRODUCT MANUFACTURED FROM S355 MILD STEEL.



SECTION - A - SCALE (1:15)