

**TYPICAL STRAIGHT-RUN FOUNDATION DETAIL**  
**SCALE (1:40)**

**PROTECTED SIDE**

**Product Classification:**  
B-Foundation/Passive/Bollard  
**Performance Rating:**  
PAS68:2013 Bollard  
V/7500[N3]/80/90:5.4/0.0

THIS DRAWING IS THE SOLE PROPERTY AND COPYRIGHT OF MARSHALLS STREET FURNITURE AND MAY NOT BE DISCLOSED TO ANY THIRD PARTY OR REPRODUCED IN WHOLE OR IN PART WITHOUT THE PRIOR WRITTEN CONSENT OF AN AUTHORISED REPRESENTATIVE OF THE COMPANY. UNAUTHORISED PARTIAL OR COMPLETE REPRODUCTION, IN EITHER TWO OR THREE DIMENSIONAL FORM, MAY RESULT IN LEGAL ACTION. THE USE OF THIS DRAWING TO OBTAIN QUOTES FROM OTHER SUPPLIERS OTHER THAN MARSHALLS URBAN STRUCTURES MAY RESULT IN LEGAL ACTION.



**Marshalls**  
PREMIER WAY  
LOWFIELDS BUSINESS PARK  
ELLAND  
HALIFAX  
WEST YORKS  
HX5 9HT

TEL: 0870 990 7504  
EMAIL: info@marshalls.co.uk

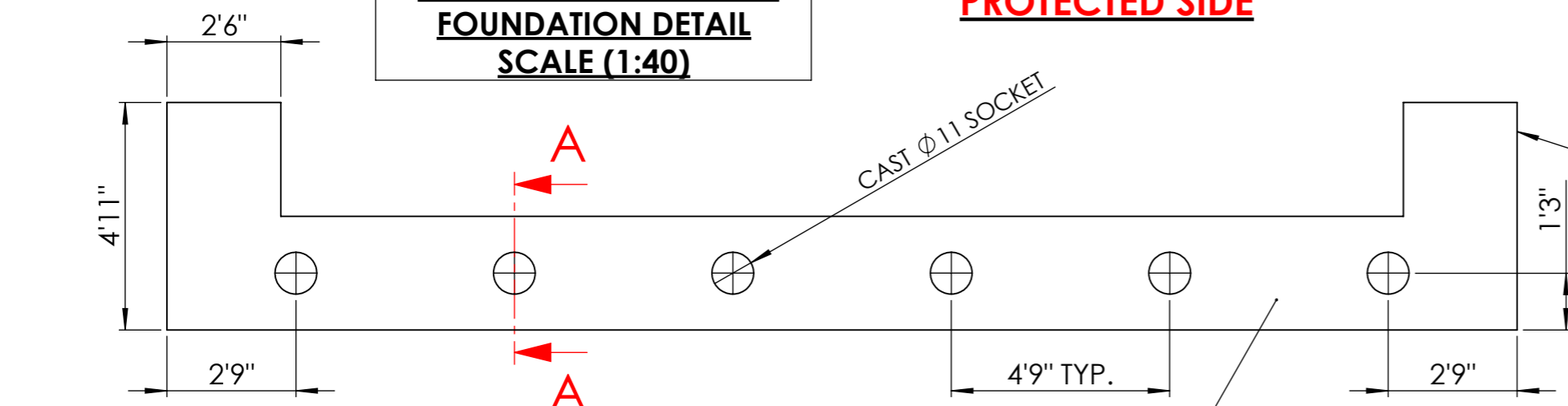
- NOTES:**
1. ALL DIMENSIONS ARE IN FEET AND INCHES UNLESS OTHERWISE STATED.
  2. DO NOT SCALE DRAWING.
  3. ALL CONCRETE TO BE IN ACCORDANCE WITH BS 8500
  4. MIXES TO BE REINFORCED CONCRETE - C30/C40
  5. ALL MATERIAL & WORKMANSHIP TO BE IN ACCORDANCE WITH RECOMMENDATIONS OF BS-EN 1992 EUROCODE 2
- Foundation sizes given are for customer guidance and suited to sub-soils with good load bearing capabilities. Where adverse site conditions are met professional advice to be sought.

	TOLERANCES: LINEAR	0	: +/-
		0.0	: +/-0.1
		0.00	: +/-0.01
	ANGULAR		+/-0.5°

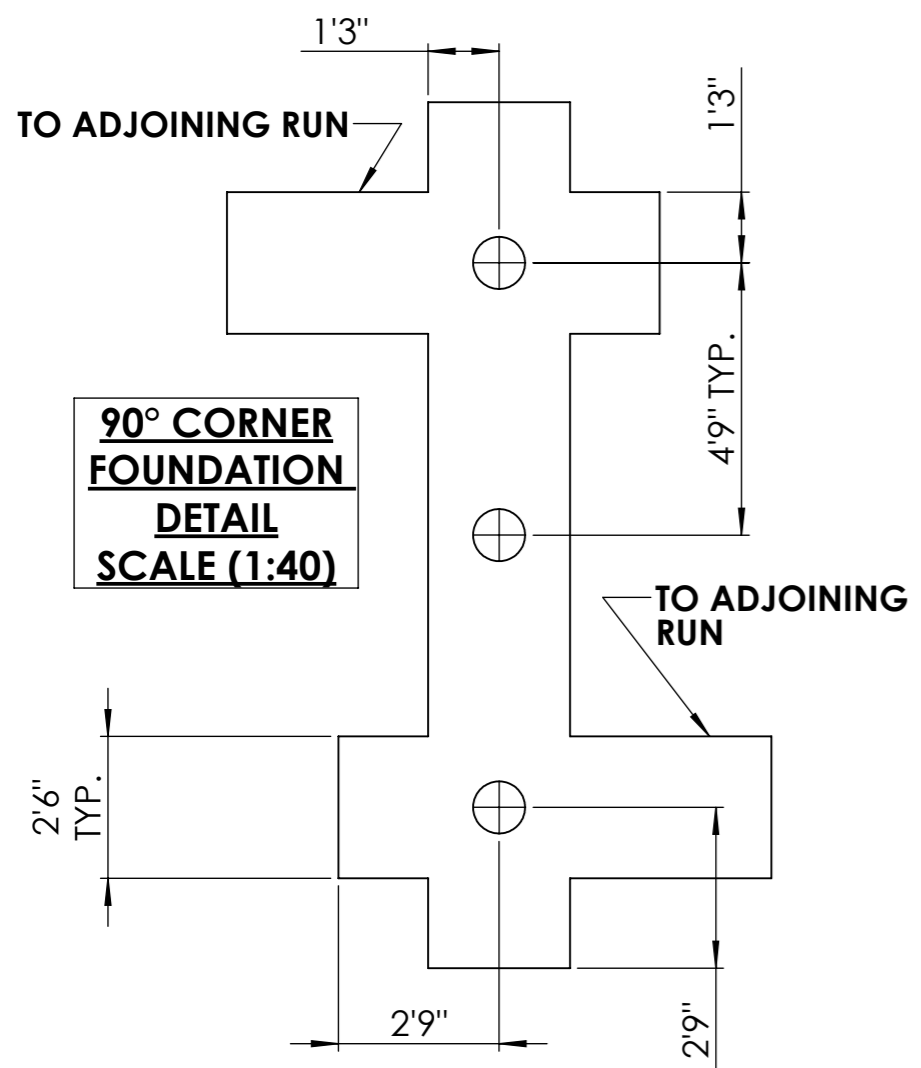
Rev	Inits	Revision Notes	ER No.	Date
A	MB	FIRST ISSUE	20-0712	06/11/20
B	-	-	-	-/-/-
C	-	-	-	-/-/-
D	-	-	-	-/-/-
E	-	-	-	-/-/-

<b>PRODUCT TYPE:</b>	STATIC BOLLARDS
<b>IMPACT RATING:</b>	75-50
<b>SLEEVE DETAIL:</b>	VARIOUS SEE NOTES
<b>PRODUCT RANGE:</b>	RHINO GUARD
<b>BRACKET WEIGHT:</b>	N/A lbs
<b>BOLLARD WEIGHT:</b>	<b>950 lbs</b>
<b>SHEET TITLE:</b>	RhinoGuard 75/50 Core Ø244 PC

<b>DRAWING NUMBER:</b> <b>CD-RG-BL-00078</b>	
<b>DRAWN BY</b> MB	<b>REVISION</b> [A]
<b>DATE</b> 06/11/20	
<b>SCALE</b> 1:15@A3	SHEET 1 of 1



MAXIMUM RUN LENGTH  
49' BEFORE STOP & RE-  
START FOR EXPANSION

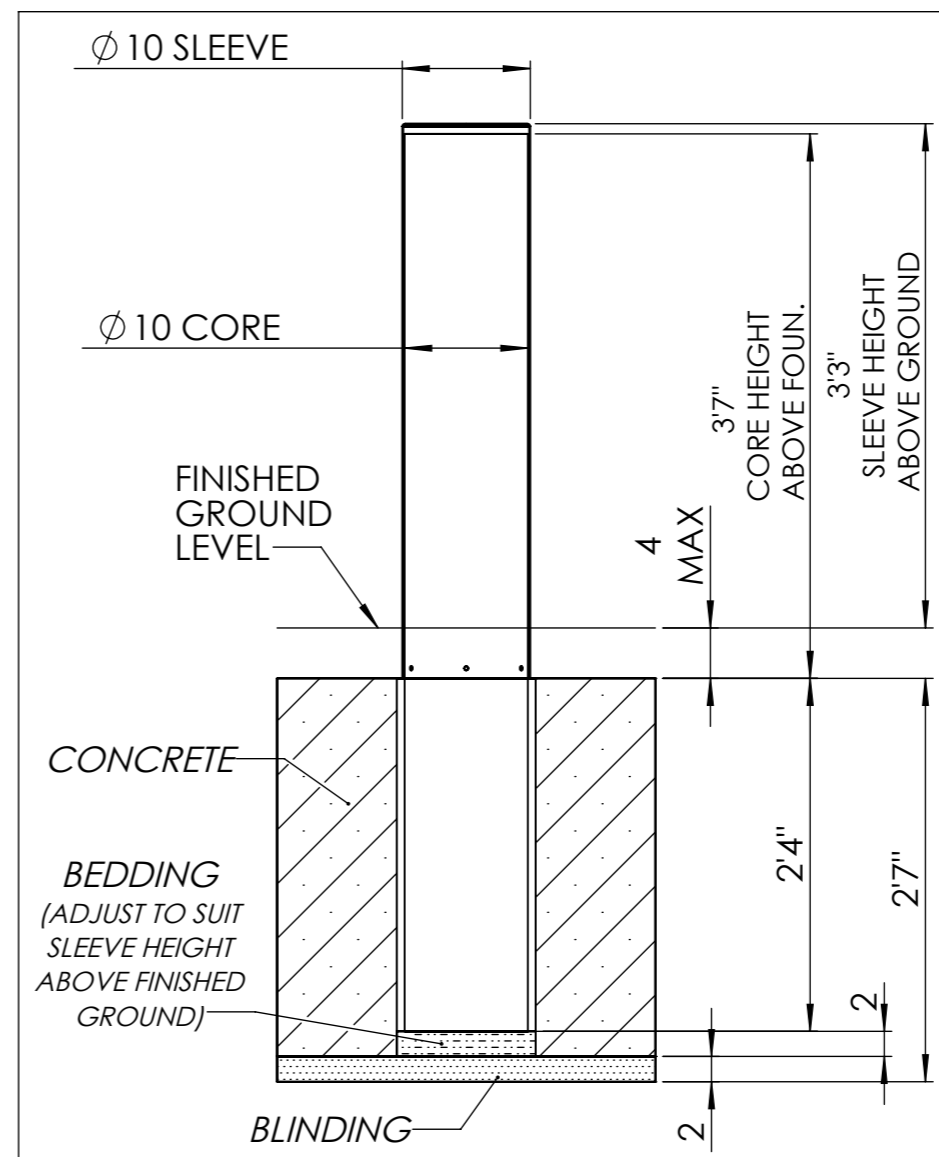


**90° CORNER FOUNDATION DETAIL**  
**SCALE (1:40)**

REBAR  
CAGEWORK  
WITHIN  
CONCRETE  
FOUNDATION  
NOT SHOWN

- NOTES:**
- 1) FOUNDATION DETAIL FOR INDICATIVE PURPOSES ONLY. PRODUCT TO BE INSTALLED IN ACCORDANCE WITH MARSHALLS SPECIFICATION.
  - 2) FOR HVM COMPLIANCE BOLLARD TO BOLLARD CLEAR GAP MUST NOT EXCEED 47.25"
  - 3) STOP AND START RUN EVERY 49 FEET TO ALLOW FOR EXPANSION.
  - 4) MINIMUM 1 BOLLARD REQUIRED CENTRALLY IN A 2-BOLLARD FOUNDATION.
  - 5) 45° AND CURVED OPTIONS AVAILABLE.
  - 6) PRODUCT MANUFACTURED FROM S355 MILD STEEL.

- FINISH OPTIONS:**
- ZINC PRIMED AND POWDER COATED
  - MILD STEEL GALVANISED AND POWDER COATED SLEEVE
  - STAINLESS STEEL SLEEVE (BRUSHED OR BEAD BLASTED)
  - FERROCAST (VARIOUS OPTIONS AVAILABLE)
- AVAILABLE WITH FLAT/MITRED AND DOMED TOPS WITH OR WITHOUT GROOVES WITH OR WITHOUT CLASS 2 REFLECTIVE TAPE



**SECTION - A - SCALE (1:15)**