

FINISH OPTIONS:

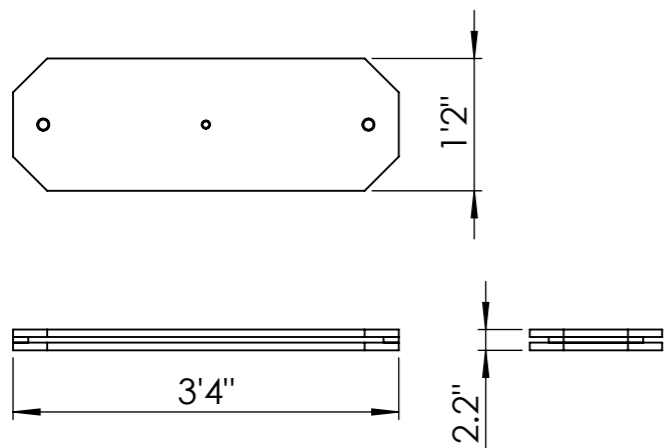
- ZINC PRIMED AND POWDER COATED
- MILD STEEL GALVANISED AND POWDER COATED SLEEVE
- STAINLESS STEEL SLEEVE (BRUSHED OR BEAD BLASTED)
- FERROCAST (VARIOUS OPTIONS AVAILABLE)

AVAILABLE WITH FLAT/MITRED AND DOMED TOPS
WITH OR WITHOUT GROOVES
WITH OR WITHOUT CLASS 2 REFLECTIVE TAPE

NOTES:

- 1) FOUNDATION DETAIL FOR INDICATIVE PURPOSES ONLY. PRODUCT TO BE INSTALLED IN ACCORDANCE WITH MARSHALLS SPECIFICATION.
- 2) PRODUCT TO BE INSTALLED IN A MINIMUM RUN OF 3 UNITS. FOR HVM COMPLIANCE BOLLARD TO BOLLARD CLEAR GAP MUST NOT EXCEED 47.25" AT 20" ABOVE GROUND.
- 3) ADJOINING UNITS CONNECTED WITH SUPPLIED BRACKETS AND FIXINGS.
- 4) PRODUCT MANUFACTURED FROM S355 MILD STEEL.

CONNECTION BRACKET DETAIL

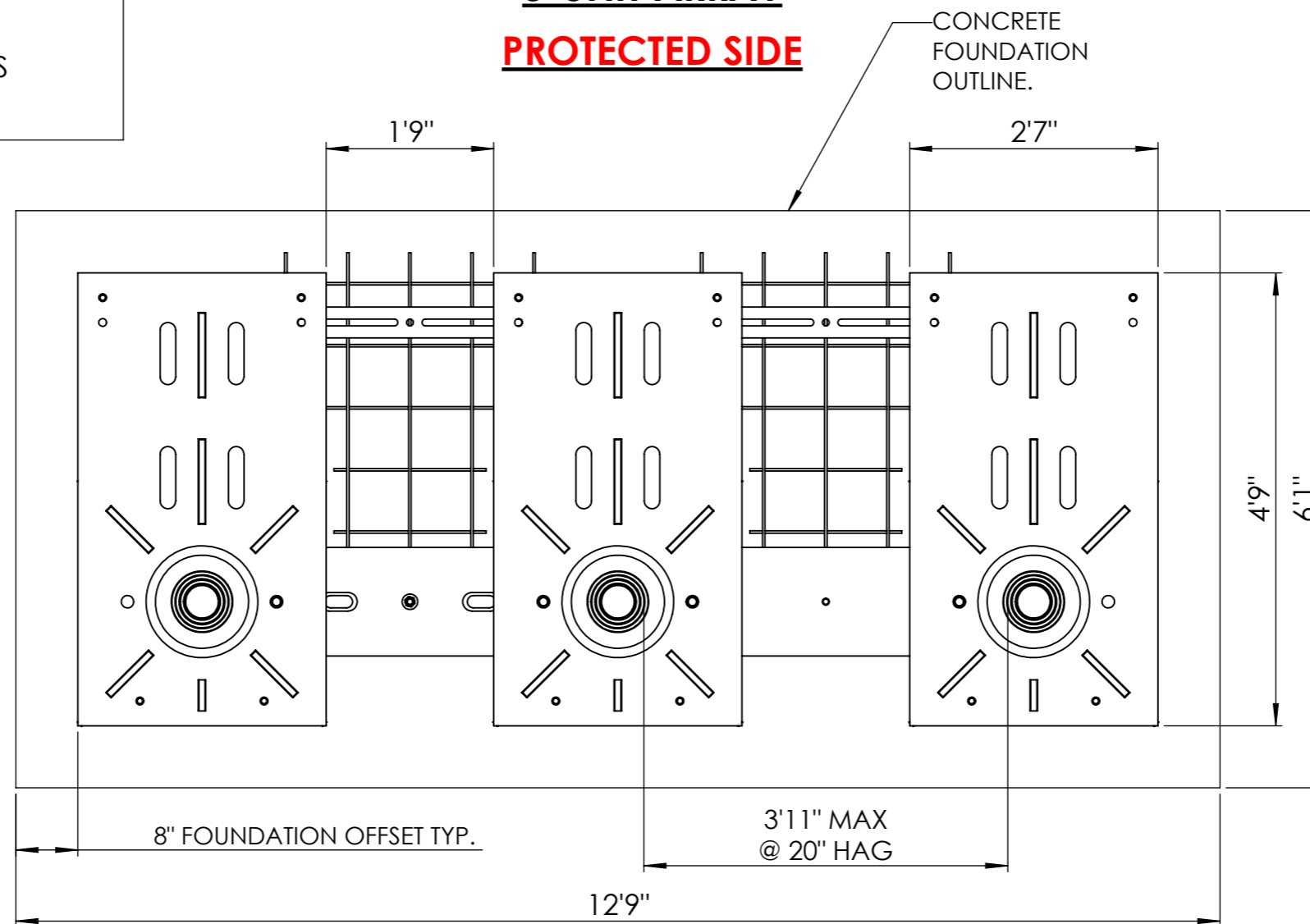


NOTE: REAR BRACKET SLOTTED TO ALLOW ROTATION OF FRAMES TO SUIT CURVED RUNS. LONGER REAR BRACKET AVAILABLE FOR INTERNAL CURVES.

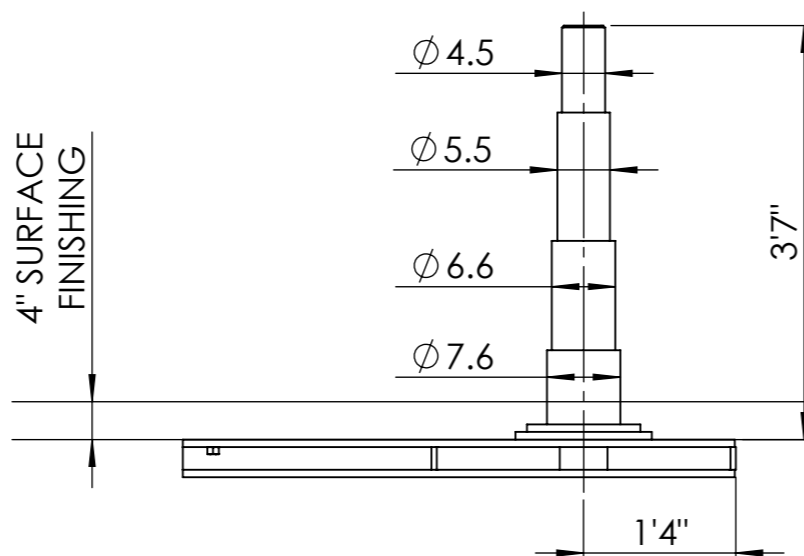
PRODUCT CLASSIFICATION:
B-FOUNDATION/PASSIVE/BOLLARD
PERFORMANCE RATING:
IWA14-1:2013 BOLLARD
V/7200[N2A]/64/90:7.6

NOTE: FRAMES CAN ALSO BE PROVIDED WITH A REMOVABLE CORE. BLANK FRAMES CAN ALSO BE PROVIDED WHERE FEWER THAN 3 BOLLARDS ARE REQUIRED.

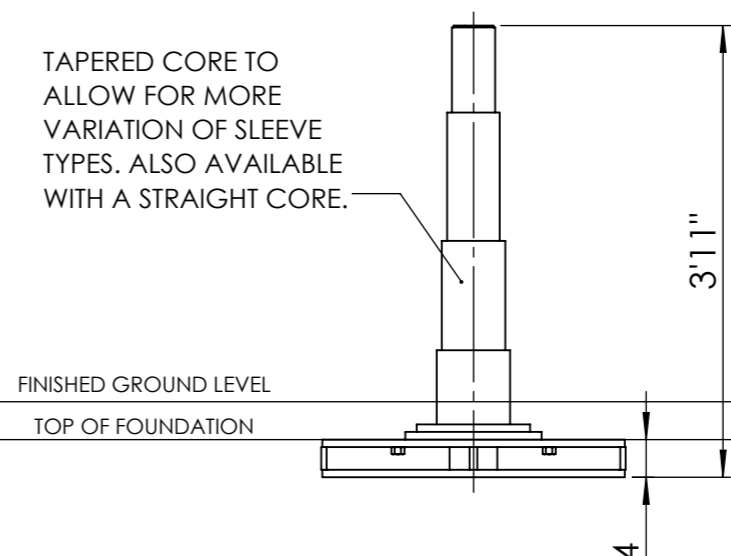
TOP VIEW
3-UNIT ARRAY
PROTECTED SIDE



SIDE VIEW



FRONT VIEW



TAPERED CORE TO ALLOW FOR MORE VARIATION OF SLEEVE TYPES. ALSO AVAILABLE WITH A STRAIGHT CORE.

THIS DRAWING IS THE SOLE PROPERTY AND COPYRIGHT OF MARSHALLS STREET FURNITURE AND MAY NOT BE DISCLOSED TO ANY THIRD PARTY OR REPRODUCED IN WHOLE OR IN PART WITHOUT THE PRIOR WRITTEN CONSENT OF AN AUTHORISED REPRESENTATIVE OF THE COMPANY. UNAUTHORISED PARTIAL OR COMPLETE REPRODUCTION, IN EITHER TWO OR THREE DIMENSIONAL FORM, MAY RESULT IN LEGAL ACTION. THE USE OF THIS DRAWING TO OBTAIN QUOTES FROM OTHER SUPPLIERS OTHER THAN MARSHALLS URBAN STRUCTURES MAY RESULT IN LEGAL ACTION.



PREMIER WAY
LOWFIELDS BUSINESS PARK
ELLAND
HALIFAX
WEST YORKS
HX5 9HT

TEL: 0870 990 7504

EMAIL: info@marshalls.co.uk

NOTES:

1. ALL DIMENSIONS ARE IN FEET AND INCHES UNLESS OTHERWISE STATED.
 2. DO NOT SCALE DRAWING.
 3. ALL CONCRETE TO BE IN ACCORDANCE WITH BS 8500
 4. MIXES TO BE REINFORCED CONCRETE - C30/C40
 5. ALL MATERIAL & WORKMANSHIP TO BE IN ACCORDANCE WITH RECOMMENDATIONS OF BS-EN 1992 EUROCODE 2
- Foundation sizes given are for customer guidance and suited to sub-soils with good load bearing capabilities. Where adverse site conditions are met professional advice to be sought.

THIRD ANGLE PROJECTION	TOLERANCES: LINEAR	0	:+/-1
		0.0	:+/-0.1
	ANGULAR	0.00	:+/-0.01

Rev	Init	Revision Notes	ER No.	Date
A	MB	FIRST ISSUE	20-0712	05/11/20
B	-	-	-	-/-/-
C	-	-	-	-/-/-
D	-	-	-	-/-/-
E	-	-	-	-/-/-

PRODUCT TYPE:	SHALLOWMOUNT BOLLARDS
IMPACT RATING:	72-40
SLEEVE DETAIL:	VARIOUS SEE NOTES
PRODUCT RANGE:	RHINO GUARD
BRACKET WEIGHT:	288 & 22 lbs
BOLLARD WEIGHT:	1129.13 lbs

SHEET TITLE:
RhinoGuard IWA-14 72/40 Super
Shallowmount Ø194 Core PC

DRAWING NUMBER:
CD-RG-SM-00187

DRAWN BY MB	REVISION [A]
DATE 05/11/20	
SCALE 1:20@A3	SHEET 1 of 1