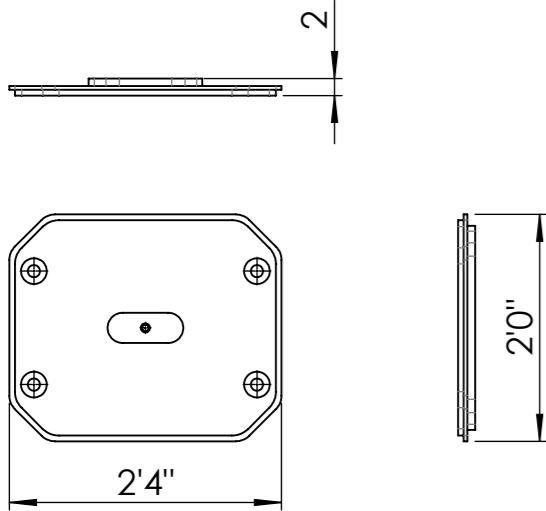


FINISH OPTIONS:

- ZINC PRIMED AND POWDER COATED
- MILD STEEL GALVANISED AND POWDER COATED SLEEVE
- STAINLESS STEEL SLEEVE (BRUSHED OR BEAD BLASTED)
- FERROCAST (VARIOUS OPTIONS AVAILABLE)

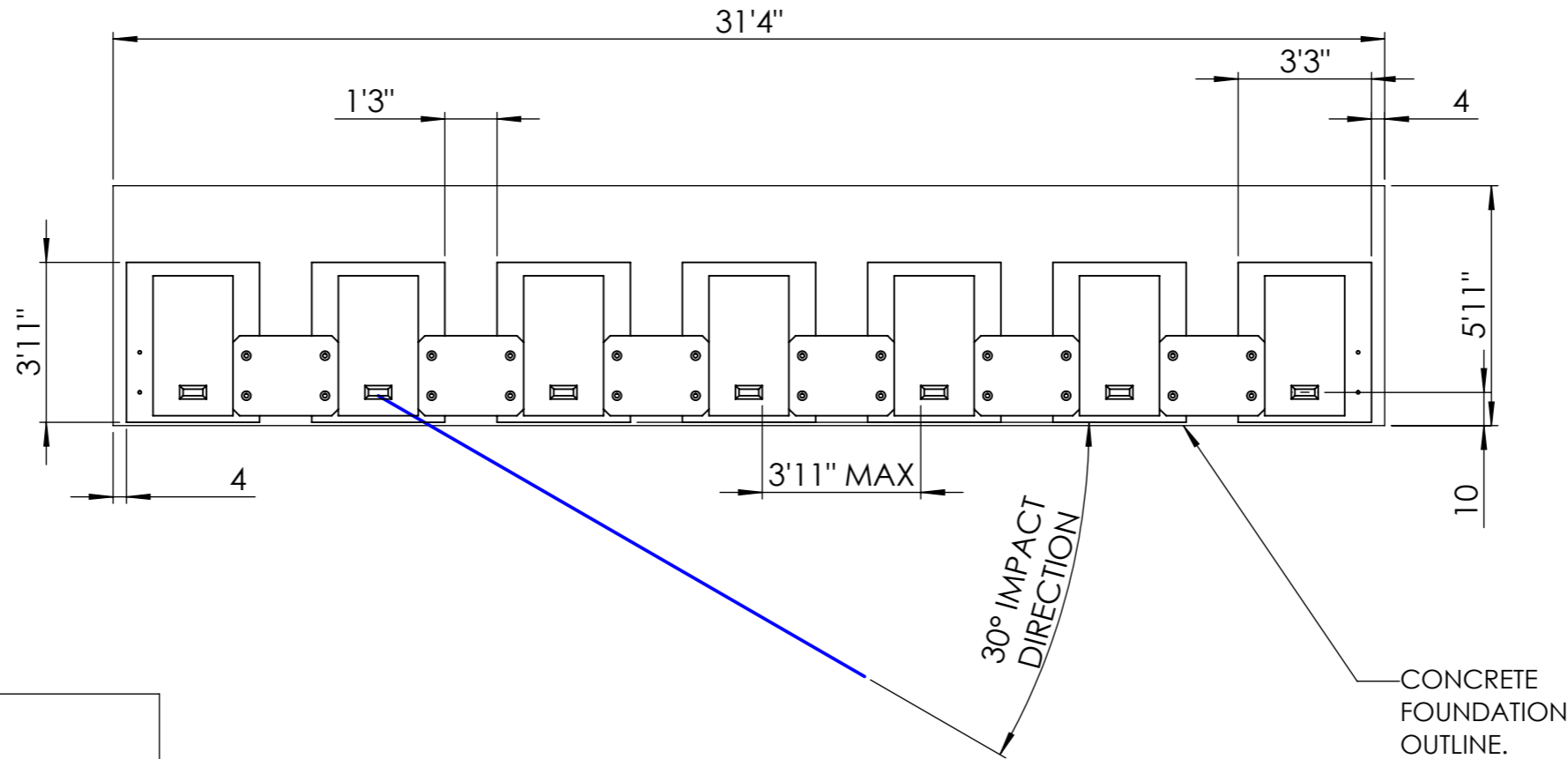
AVAILABLE WITH FLAT/MITRED AND DOMED TOPS
WITH OR WITHOUT GROOVES
WITH OR WITHOUT CLASS 2 REFLECTIVE TAPE

**CONNECTION
BRACKET DETAIL**



**TOP VIEW
7-UNIT ARRAY
SCALE (1:50)**

PROTECTED SIDE

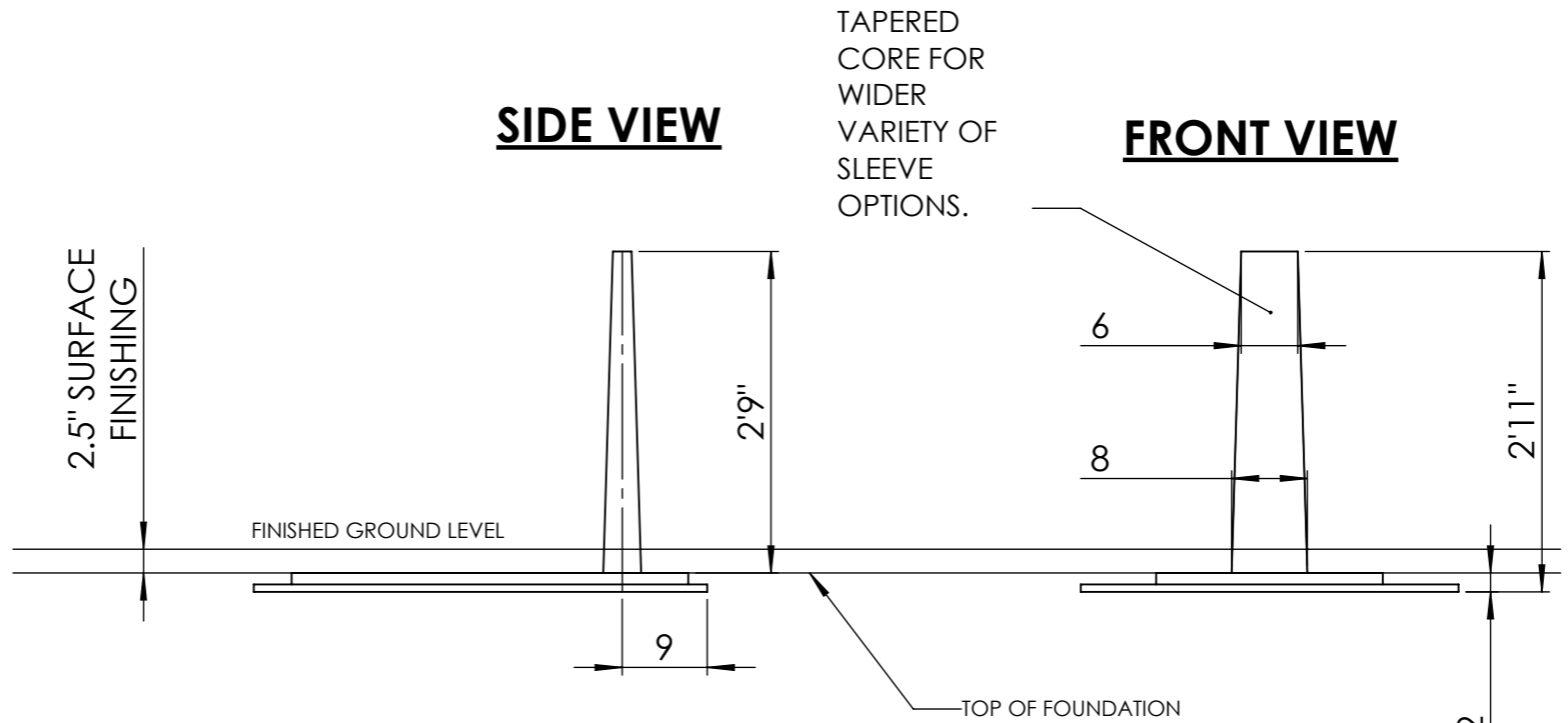


NOTES:

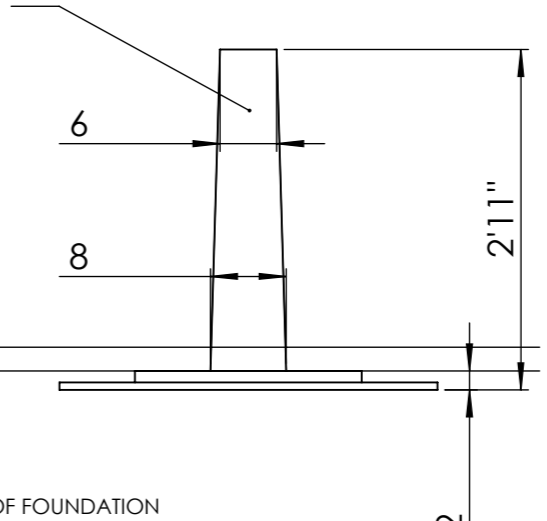
- 1) FOUNDATION DETAIL FOR INDICATIVE PURPOSES ONLY. PRODUCT TO BE INSTALLED IN ACCORDANCE WITH MARSHALLS SPECIFICATION.
- 2) PRODUCT TO BE INSTALLED IN A MINIMUM RUN OF 7 UNITS. FOR HVM COMPLIANCE BOLLARD TO BOLLARD CLEAR GAP MUST NOT EXCEED 47.25 "
- 3) ADJOINING UNITS CONNECTED WITH SUPPLIED BRACKET AND FIXINGS.
- 4) PRODUCT MANUFACTURED FROM S355 MILD STEEL.

PRODUCT CLASSIFICATION:
B-FOUNDATION/PASSIVE/BOLLARD
PERFORMANCE RATING:
IWA14-1:2013 BOLLARD
V/7200[N2A]/48/30:1.2

SIDE VIEW



FRONT VIEW



THIS DRAWING IS THE SOLE PROPERTY AND COPYRIGHT OF MARSHALLS STREET FURNITURE AND MAY NOT BE DISCLOSED TO ANY THIRD PARTY OR REPRODUCED IN WHOLE OR IN PART WITHOUT THE PRIOR WRITTEN CONSENT OF AN AUTHORISED REPRESENTATIVE OF THE COMPANY. UNAUTHORISED PARTIAL OR COMPLETE REPRODUCTION, IN EITHER TWO OR THREE DIMENSIONAL FORM, MAY RESULT IN LEGAL ACTION. THE USE OF THIS DRAWING TO OBTAIN QUOTES FROM OTHER SUPPLIERS OTHER THAN MARSHALLS URBAN STRUCTURES MAY RESULT IN LEGAL ACTION.



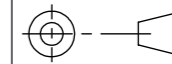
PREMIER WAY
LOWFIELDS BUSINESS PARK
ELLAND
HALIFAX
WEST YORKS
HX5 9HT

TEL: 0870 990 7504

EMAIL: info@marshalls.co.uk

NOTES:

1. ALL DIMENSIONS ARE IN FEET AND INCHES UNLESS OTHERWISE STATED.
 2. DO NOT SCALE DRAWING.
 3. ALL CONCRETE TO BE IN ACCORDANCE WITH BS 8500
 4. MIXES TO BE REINFORCED CONCRETE - C30/C40
 5. ALL MATERIAL & WORKMANSHIP TO BE IN ACCORDANCE WITH RECOMMENDATIONS OF BS-EN 1992 EUROCODE 2
- Foundation sizes given are for customer guidance and suited to sub-soils with good load bearing capabilities. Where adverse site conditions are met professional advice to be sought.



TOLERANCES: LINEAR 0 : +/-1
0.0 : +/-0.1
0.00 : +/-0.01
ANGULAR +/-0.5°

THIRD ANGLE PROJECTION

Rev	Init	Revision Notes	ER No.	Date
A	MB	FIRST ISSUE	20-0712	06/11/20
B	-	-	-	-/-/-
C	-	-	-	-/-/-
D	-	-	-	-/-/-
E	-	-	-	-/-/-

PRODUCT TYPE:

SHALLOWMOUNT BOLLARDS

IMPACT RATING:

72-30 (30°)

SLEEVE DETAIL:

VARIOUS SEE NOTES

PRODUCT RANGE:

RHINO GUARD

BRACKET WEIGHT:

210 lbs

BOLLARD WEIGHT:

850 lbs

SHEET TITLE:

RhinoGuard Ultra Shallow 50 72/30 - Frame PZ&PC

DRAWING NUMBER:

CD-RG-SM-00305

DRAWN BY	REVISION
MB	[A]
DATE	
06/11/20	
SCALE	SHEET 1 of 1
1:20@A3	