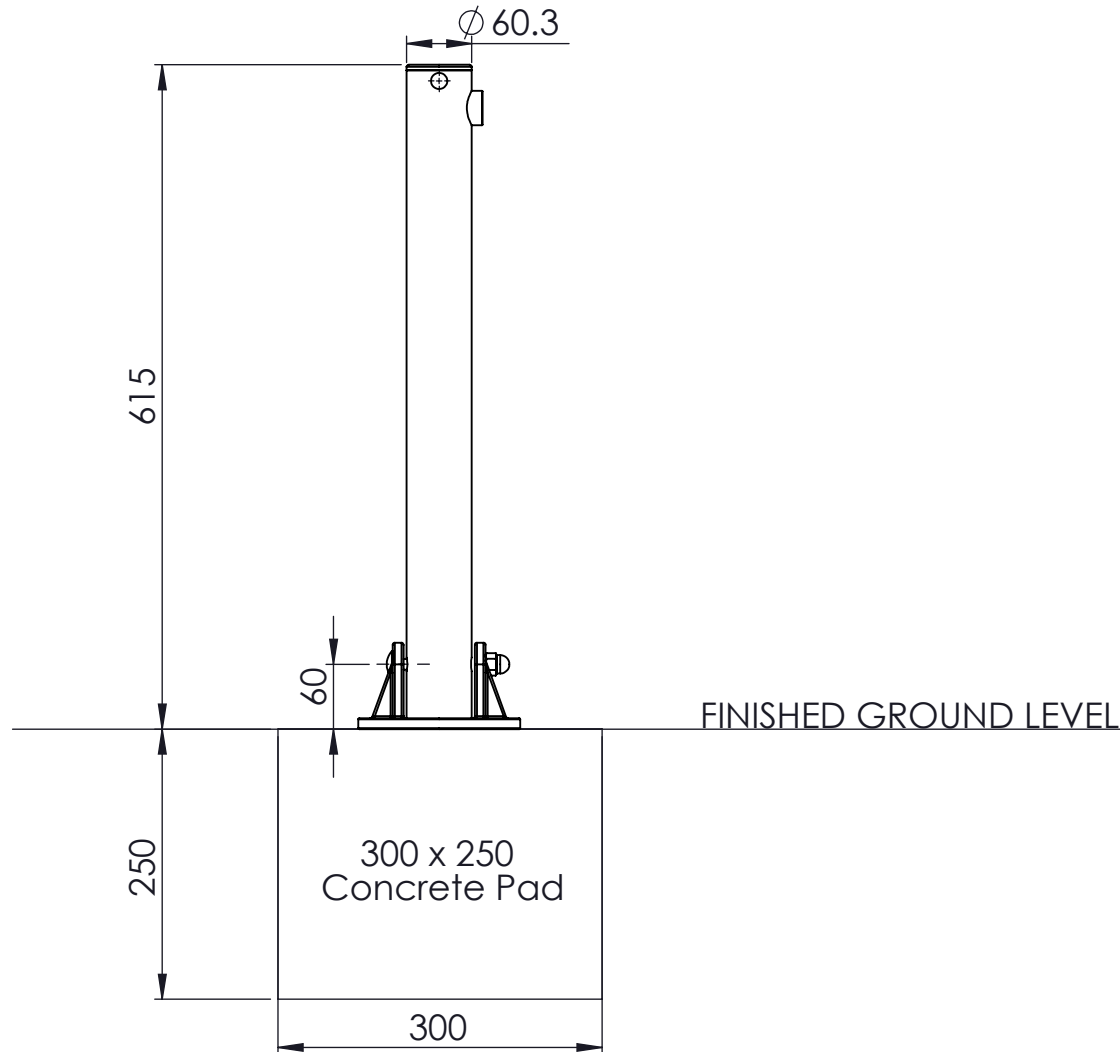
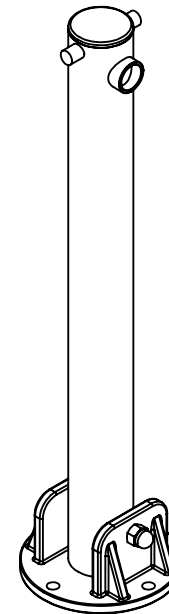


ISO VIEW



PRODUCT SPECIFICATION

MATERIAL:
GRADE S235 MILD STEEL, 5mm WALL

FINISH:
PAINTED, BLACK OR YELLOW

WEIGHT:
6.70 KG Approx

- BASE PLATED INSTALLATION:**
1. Prepare a flat, homogeneous foundation preferably concrete or similar.
 2. Allow the foundation to cure.
 3. Secure bollard to foundation using a suitable bolting system used in accordance with the manufacturers instructions.
 4. Marshalls street furniture will be happy to help with bolt selection if necessary.

Foundation sizes given are for customer guidance and suited to sub-soils with good load bearing capabilities. Where adverse site conditions are met professional advice to be sought.

For operation and maintenance please refer to the **Marshalls Street Furniture Maintenance Guide**.

B	PRODUCT UPDATE	27/11/19	JA
RevNo	Revision Note	Date	Signature

Title:
RT KEYOP FOLD DOWN BOLLARD (BLACK/YELLOW)

Drawing No:
PS-RH-BT-10001/03



P.O. Box 6, High Flatworth,
Tyne Tunnel Trading Estate
North Shields,
Tyne and Wear, NE29 7SJ
Tel: (0870) 600 2425
Fax: (0191) 256 8041

Unless otherwise stated:
ALL DIMENSIONS ARE IN
MILLIMETERS

This drawing is the sole property and copyright of Marshalls Street Furniture and may not be disclosed to any third party or reproduced in whole or in part without the prior written consent of an authorised representative of the company.

Marshalls PLC reserves the right to change the specifications of products noted above at any time and without notice.

DO NOT SCALE DRAWING		A4
Scale: N.T.S.	Sheet: 1 of 1	